

PH-A14 Profile Projector

Bulletin No. 2121



QM-Data200 mounted
on PH-A14 profile
projector

PH-A14 Horizontal Profile Projector

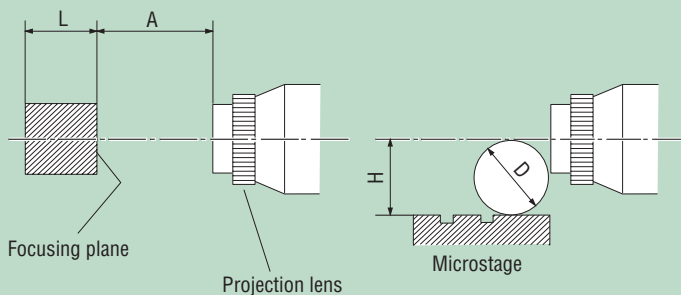
PH-A14 comes equipped with Linear Glass Scales factory mounted ready for your choice of optional display counters (shown with QM-Data 200)



Features:

- *Mitutoyo's lens technology and workmanship combine to provide a bright, crisp image for error free inspection.*
- *The PH-A14's generous x, y workstage travel (8"x4") provides users with ample range to cover application needs.*
- *New location of the Y-axis handle improves ease of operation.*
- *The workstage provides high accuracy and can handle a workload of up to 100 lbs.*
- *Fiber illuminator is standard accessory.*

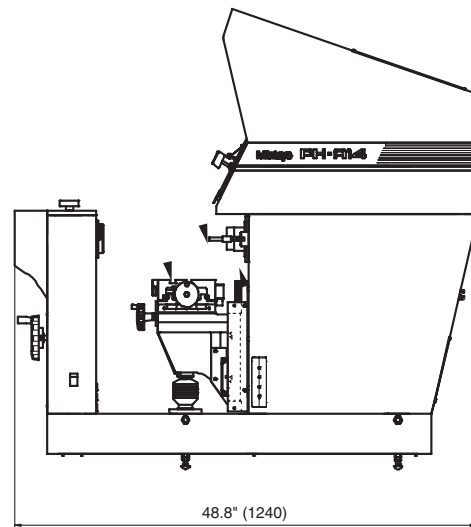
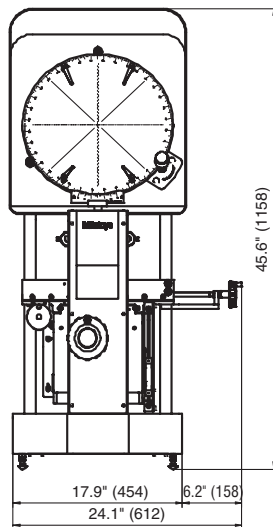
Projection Lenses



Unit: mm

Magnification	10X	20X	50X	100X
Mounting method	Screw mount			
Projection capacity				
Field of view	35.6	17.3	7.12	3.56
Working distance	A	93	40	14.6
Maximum workpiece width	L	235	235	80
Maximum projecting diameter	D	105	105	30.4
Maximum distance between the optical axis and microstage top face	H	105		

Unit: inch (mm)



Specifications

Order No.	172-810-10A
Model No.	PH-A14
Projected image	Inverted image
Protractor screen	14" (356mm) Fine ground glass with cross - hair lines Vernier reading, Resolution: 2'
Illumination	24V, 150W (512305) halogen lamp, Telecentric illumination 24V, 150W (512305) halogen lamp, Twin fiber-optic illuminator
Magnifications	10X (Standard), 20X, 50X, 100X (Option)
Magnifications Accuracy	0.1% or less 0.15% or less
Workstage (X-axis)	8" (203.2mm) 16" x 6" (407 x 153mm) Linear Scale .00005" (0.001mm)*1
(Y-axis)	4" (101.6mm) Linear Scale .00005" (0.001mm)*1
(Z-axis)	2" (50.8mm)
Max Load	100lbs (45.37Kg)
XY counter	Option
Power supply	120VAC, 50/60Hz
Dimension (W x D x H)	24.1" x 48.8" x 45.6" (612 x 1240 x 1158mm)
Weight	308lbs (140Kg)

*1 set by XY counter

Standard Accessories

Order No.	
172-011	Projection Lens 10x
512305	Halogen bulb 24V 150W (500 Hours)
358191	Fuse 6A (for 10-120V)
538815	Hexagonal wrench 2.5
538616	Hexagonal wrench 3
12BAC245	Spanner wrench 2.5 1
99MBA051A	Operational manual

See the backside for optional accessories

Optional Accessories

Order No.	Description
172-011	Projection Lens 10X (Standard)
172-012	Projection Lens 20X
172-013	Projection Lens Set 50X
172-014	Projection Lens Set 100X
172-116	Standard scale 50mm
172-117	Standard scale 2"
172-118	Reading scale 200mm
172-119	Reading scale 8"
172-161	Reading scale 300mm
172-162	Reading scale 12"
172-286	Green filter
172-142	Center support
172-143	Center support riser
172-132	Vertical holder
172-144	Rotary vise
172-234	V-block
64AAA129B	Machine stand (W = 23" x D = 45" x H = 20") Weight: 129 lbs (58.53 Kg)

Data Processor and Display Counters

264-156A	QM Data200 (Arm Mount Type)
332-151	OPTOEYE 200
12AAE671*	Detector Plate
174-173A	KA Counter
64AAB149	Counter tray

*Required with OPTOEYE 200

Center Support



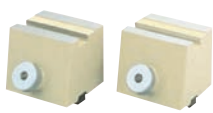
Clamps a cylindrical workpiece such as a screw
Workpiece dia.: 120mm max

Rotary Vise



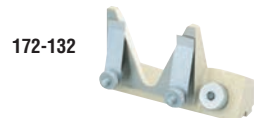
Workpiece dia.: 60mm max

Center Support Riser



Widens the damping capacity of the center support to a maximum diameter of 240mm.

Vertical Holder



Set up a thin workpiece easily

Optional Display Units



QM Data 200

OPTOEYE 200 - Edge Sensor

Order No. 332-151

*Detector Plate required with OPTOEYE 200



KA Counter

QM-Data200

Order No. 264-156A (Arm-mount model)

Resolution .00002"/.00005"/.0001"
(0.0005mm/0.001mm)

Software Standard geometric element
Geometry combination pattern
Memory: 1000 elements (max)

Dimension 7.87" (W) x 11.02" (H) x 3.54" (D)



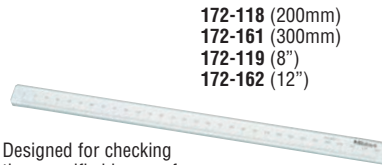
KA Counter

Order No. 174-173A

Resolution .0005"/.0002"/.0001"/.00005"
(0.0005mm/0.002mm/0.001mm)

Dimension 10.2" (W) x 6.61" (H) x 3.2" (D)

*Requires Counter Tray 58AAA407A



Designed for checking the magnified image of a standard scale.

Standard Scales



172-116 (50mm)
172-117 (2")

Used for checking magnifying accuracy.

V-Block with Clamp

172-234

Workpiece dia.: 50mm max

Green Filter

172-286

Increases the screen sharpness of the contour image.

Coordinate Measuring Machines

Vision Measuring Systems

Form Measurement

Optical Measuring

Sensor Systems

Testing Equipment and Seismometer

Digital Scale and DRO Systems

Small Tool Instruments and Data Management

Mitutoyo America Corporation

www.mitutoyo.com

One Number to Serve You Better
1-888-MITUTOYO (1-888-648-8869)

M³ Solution Centers

Aurora, Illinois
(Corporate Headquarters)

Westford, Massachusetts
Huntersville, North Carolina

Mason, Ohio
Plymouth, Michigan

City of Industry, California
Birmingham, Alabama

Renton, Washington



JSAQ-052
ISO 9001

Mitutoyo

Precision is our Profession